



US008600890B2

(12) **United States Patent**
Barcelou

(10) **Patent No.:** **US 8,600,890 B2**
(45) **Date of Patent:** ***Dec. 3, 2013**

(54) **AUTOMATED TRANSACTION MACHINE**

(56) **References Cited**

(75) Inventor: **David M. Barcelou**, Rydal, PA (US)

U.S. PATENT DOCUMENTS

(73) Assignee: **Transaction Holdings Ltd., LLC**,
Wilmington, DE (US)

3,397,763 A	8/1968	Wahlberg
3,705,384 A	12/1972	Wahlberg
3,798,603 A	3/1974	Wahlberg
3,826,344 A	7/1974	Wahlberg
3,937,925 A	2/1976	Boothroyd
3,957,173 A	5/1976	Roudebush
3,970,992 A	7/1976	Boothroyd et al.

(*) Notice: Subject to any disclaimer, the term of this patent is extended or adjusted under 35 U.S.C. 154(b) by 0 days.

This patent is subject to a terminal disclaimer.

(Continued)

FOREIGN PATENT DOCUMENTS

(21) Appl. No.: **11/982,045**

JP	3-98366	4/1991
WO	WO-92/17856	10/1992

(22) Filed: **Oct. 31, 2007**

(65) **Prior Publication Data**

US 2008/0065544 A1 Mar. 13, 2008

Related U.S. Application Data

(63) Continuation of application No. 11/818,217, filed on Jun. 13, 2007, now abandoned, which is a continuation of application No. 11/123,982, filed on May 6, 2005, now abandoned, which is a continuation of application No. 09/180,558, filed as application No. PCT/US97/08089 on May 9, 1997, now Pat. No. 6,945,457.

(60) Provisional application No. 60/017,533, filed on May 10, 1996.

(51) **Int. Cl.**
G06Q 40/00 (2012.01)

(52) **U.S. Cl.**
USPC **705/43; 705/5; 705/21; 705/25; 705/40; 705/41; 382/115; 235/379**

(58) **Field of Classification Search**
USPC **705/5, 21, 25, 40, 41, 43; 382/115; 235/379**

See application file for complete search history.

OTHER PUBLICATIONS

Definition of "network-telecommunications" from Dictionary of Science and Technology, 1992 edition, 1 page.*

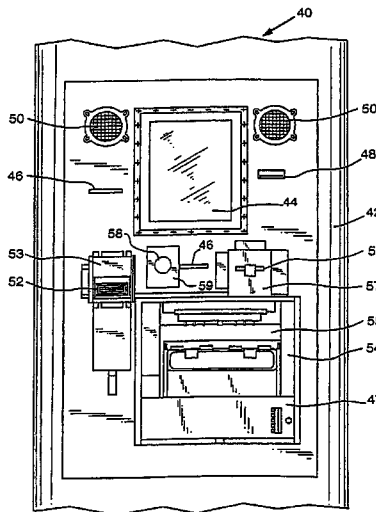
(Continued)

Primary Examiner — James Trammell
Assistant Examiner — Sanjeev Malhotra
(74) *Attorney, Agent, or Firm* — Tannenbaum Helpert Syracuse & Hirschtritt LLP

(57) **ABSTRACT**

An automated retail terminal in which a plurality of goods and/or services are provided in an integrated system. The integrated system generally avoids duplicating hardware or functions in the course of delivering the goods or services offered, so for example in a combination ATM and Internet kiosk the same credit card or smart card reader is used for both the ATM and the Internet kiosk functions, the same control screen activates the ATM functions and the Internet functions, and etc.

16 Claims, 9 Drawing Sheets



(56)

References Cited

U.S. PATENT DOCUMENTS

3,971,916 A	7/1976	Moreno	5,042,809 A	8/1991	Richardson	
4,007,355 A	2/1977	Moreno	5,047,613 A	9/1991	Swegen et al.	
4,050,562 A	9/1977	Schwippert et al.	5,056,019 A	10/1991	Schultz et al.	
4,092,524 A	5/1978	Moreno	5,056,643 A	10/1991	Kirberg	
4,102,493 A	7/1978	Moreno	5,083,271 A	1/1992	Thacher et al.	
4,105,156 A	8/1978	Dethloff	5,093,787 A	3/1992	Simmons	
4,166,945 A	9/1979	Inoyama et al.	5,105,069 A	4/1992	Hakenewerth et al.	
4,179,723 A	12/1979	Spencer	5,131,039 A	7/1992	Chaum	
4,190,066 A	2/1980	Burnside	5,147,021 A	9/1992	Maruyama et al.	
4,197,986 A	4/1980	Nagata	5,166,676 A	11/1992	Milheiser	
4,211,919 A	7/1980	Ugon	5,183,142 A	2/1993	Laichnian et al.	
4,225,779 A	9/1980	Sano et al.	5,185,798 A	2/1993	Hamada et al.	
4,253,016 A	2/1981	Hirose	5,198,976 A	3/1993	Form et al.	
RE30,773 E	10/1981	Glaser et al.	5,206,495 A	4/1993	Kreft	
4,295,041 A	10/1981	Ugon	5,214,269 A	5/1993	Yamashita et al.	
4,305,059 A	12/1981	Benton	5,220,501 A *	6/1993	Lawlor et al.	705/40
4,319,336 A	3/1982	Anderson et al.	5,224,162 A	6/1993	Okamoto et al.	
4,341,951 A	7/1982	Benton	5,227,778 A	7/1993	Vacon	
4,343,582 A	8/1982	Lundblad et al.	5,239,662 A	8/1993	Danielson et al.	
4,365,700 A	12/1982	Arimoto et al.	5,240,368 A	8/1993	Graef et al.	
4,382,279 A	5/1983	Ugon	5,250,788 A	10/1993	Sugai et al.	
4,454,414 A	6/1984	Benton	5,256,863 A *	10/1993	Ferguson et al.	705/21
4,454,670 A	6/1984	Bachmann et al.	5,265,033 A	11/1993	Vajk et al.	
4,497,261 A	2/1985	Ferrin et al.	5,280,527 A	1/1994	Guilman et al.	
4,521,008 A	6/1985	Granzow et al.	5,285,382 A	2/1994	Muehlberger et al.	
4,528,643 A	7/1985	Freeny, Jr.	5,297,030 A *	3/1994	Vassigh et al.	705/25
4,529,870 A	7/1985	Chaum	5,305,195 A	4/1994	Murphy	
4,538,058 A	8/1985	Ugon	5,309,355 A	5/1994	Lockwood	
4,541,057 A	9/1985	Hagiwara	5,324,035 A	6/1994	Morris et al.	
4,544,833 A	10/1985	Ugon	5,326,960 A	7/1994	Tannenbaum	
4,567,359 A	1/1986	Lockwood	5,339,239 A	8/1994	Manabe et al.	
RE32,115 E	4/1986	Lockwood	5,350,906 A	9/1994	Brody et al.	
4,593,183 A	6/1986	Fukatsu	5,351,146 A	9/1994	Chan et al.	
4,605,844 A	8/1986	Haggan	5,351,296 A	9/1994	Sullivan	
4,625,276 A	11/1986	Benton	5,371,797 A	12/1994	Bocinsky	
4,630,201 A	12/1986	White	5,373,558 A	12/1994	Chaum	
4,639,582 A	1/1987	Arikawa et al.	5,376,778 A	12/1994	Kreft	
4,650,977 A	3/1987	Couch	5,382,777 A	1/1995	Yuhara et al.	
4,656,342 A	4/1987	Ugon	5,397,886 A	3/1995	Mos	
4,671,512 A	6/1987	Bachman et al.	5,408,633 A	4/1995	Katsumura et al.	
D291,379 S	8/1987	Gengler et al.	5,420,405 A	5/1995	Chasek	
4,706,081 A	11/1987	Hart et al.	5,428,684 A	6/1995	Akiyama et al.	
4,726,474 A	2/1988	Arikawa et al.	5,429,361 A	7/1995	Raven et al.	
4,733,765 A	3/1988	Watanabe	5,442,567 A	8/1995	Small	
4,736,094 A	4/1988	Yoshida	5,450,938 A	9/1995	Rademacher	
4,757,185 A	7/1988	Onishi	5,465,206 A *	11/1995	Hilt et al.	705/40
4,759,063 A	7/1988	Chaum	5,513,117 A	4/1996	Small	
4,759,064 A	7/1988	Chaum	5,539,621 A	7/1996	Kikinis	
4,766,293 A	8/1988	Boston	5,543,607 A	8/1996	Watanabe et al.	
4,803,347 A	2/1989	Sugahara et al.	5,548,632 A	8/1996	Walsh et al.	
4,804,830 A	2/1989	Miyagisima et al.	5,550,816 A	8/1996	Hardwick et al.	
4,815,741 A	3/1989	Small	5,557,516 A *	9/1996	Hogan	705/41
4,831,245 A	5/1989	Osasawara	5,559,885 A	9/1996	Drexler et al.	
4,833,607 A	5/1989	Dethloff	5,583,933 A	12/1996	Mark	
4,837,422 A	6/1989	Dethloff et al.	5,584,362 A	12/1996	Dumont	
4,853,522 A	8/1989	Ogasawara	5,589,855 A	12/1996	Blumenstein et al.	
4,868,376 A	9/1989	Lessin et al.	5,613,012 A *	3/1997	Hoffman et al.	382/115
4,869,500 A	9/1989	Williams	5,633,930 A	5/1997	Davis et al.	
4,874,935 A	10/1989	Younger	5,637,845 A	6/1997	Kolls	
4,914,698 A	4/1990	Chaum	5,641,050 A	6/1997	Smith et al.	
4,926,480 A	5/1990	Chaum	5,644,118 A	7/1997	Hayashida	
4,947,430 A	8/1990	Chaum	5,644,727 A	7/1997	Atkins	
4,949,380 A	8/1990	Chaum	5,649,001 A	7/1997	Thomas et al.	
4,953,086 A	8/1990	Fukatsu	5,649,117 A *	7/1997	Landry	705/40
4,961,142 A	10/1990	Elliott et al.	5,650,065 A	7/1997	Sewell	
4,962,866 A	10/1990	Phillips	5,650,604 A	7/1997	Marcous et al.	
4,970,655 A	11/1990	Winn	5,650,605 A	7/1997	Morioka et al.	
4,974,170 A	11/1990	Bouve et al.	5,652,421 A	7/1997	Veeneman et al.	
4,977,595 A	12/1990	Ohta et al.	5,652,423 A	7/1997	Saitoh et al.	
4,991,210 A	2/1991	Chaum	5,659,165 A	8/1997	Jennings et al.	
4,996,711 A	2/1991	Chaum	5,659,616 A	8/1997	Sudia	
5,025,373 A	6/1991	Keyser, Jr. et al.	5,661,283 A	8/1997	Gallacher et al.	
5,028,918 A	7/1991	Giles et al.	5,668,878 A	9/1997	Brands	
5,036,461 A	7/1991	Elliott et al.	5,671,279 A	9/1997	Elgamal	
5,038,022 A	8/1991	Lucero	5,671,280 A	9/1997	Rosen	
			5,673,309 A	9/1997	Woynoski	
			5,673,322 A	9/1997	Pepe et al.	
			5,677,521 A	10/1997	Garrou	
			5,677,955 A	10/1997	Doggett et al.	

(56)

References Cited

U.S. PATENT DOCUMENTS

5,682,027 A	10/1997	Bertina et al.	5,859,416 A	1/1999	Gatto
5,682,525 A	10/1997	Bouve et al.	5,865,470 A	2/1999	Thompson
5,684,291 A	11/1997	Taskett	5,866,889 A	2/1999	Weiss et al.
5,686,713 A	11/1997	Rivera	5,866,891 A	2/1999	Fujimoto et al.
5,689,101 A	11/1997	Kikuchi et al.	5,870,473 A	2/1999	Boesch et al.
5,689,565 A	11/1997	Spies et al.	5,870,721 A	2/1999	Norris
5,691,525 A	11/1997	Aoki et al.	5,870,724 A	2/1999	Lawlor et al.
5,692,132 A	11/1997	Hogan	5,877,485 A	3/1999	Swartz
5,695,400 A	12/1997	Fennell et al.	5,878,141 A	3/1999	Daly et al.
5,696,366 A	12/1997	Ziamo	5,880,446 A	3/1999	Mori et al.
5,696,827 A	12/1997	Brands	5,884,288 A	3/1999	Chang et al.
5,696,908 A	12/1997	Muehlberger et al.	5,889,266 A	3/1999	Schrenk
5,699,528 A	12/1997	Hogan	5,889,268 A	3/1999	Swartz
5,703,795 A	12/1997	Mankovitz	5,889,862 A	3/1999	Ohta et al.
5,703,949 A	12/1997	Rosen	5,889,941 A	3/1999	Tushie et al.
5,704,046 A	12/1997	Hogan	5,893,907 A	4/1999	Ukuda
5,710,887 A	1/1998	Chelliah et al.	5,895,457 A	4/1999	Kurowski et al.
5,712,913 A	1/1998	Chaum	5,897,625 A	4/1999	Gustin et al.
5,715,399 A	2/1998	Bezos	5,898,838 A	4/1999	Wagner
5,722,564 A	3/1998	Tiraboschi	5,899,982 A	5/1999	Randle
5,724,521 A	3/1998	Dedrick	5,901,229 A	5/1999	Fujisaki et al.
5,727,154 A	3/1998	Fry et al.	5,901,287 A	5/1999	Bull et al.
5,728,999 A	3/1998	Teicher	5,902,983 A	5/1999	Creveil et al.
5,732,398 A	3/1998	Tagawa	5,905,736 A	5/1999	Ronen et al.
5,734,823 A	3/1998	Saigh et al.	5,905,810 A	5/1999	Jones et al.
5,739,876 A	4/1998	Stewart	5,905,908 A	5/1999	Wagner
5,742,845 A	4/1998	Wagner	5,909,023 A	6/1999	Ono et al.
5,744,787 A	4/1998	Teicher	5,917,913 A	6/1999	Wang
5,745,886 A	4/1998	Rosen	5,918,213 A	6/1999	Bernard et al.
5,752,246 A	5/1998	Rogers et al.	5,920,629 A	7/1999	Rosen
5,757,917 A	5/1998	Rose et al.	5,921,373 A	7/1999	Amdahl et al.
5,758,257 A	5/1998	Herz et al.	5,930,810 A	7/1999	Farros et al.
5,761,306 A	6/1998	Lewis	5,936,220 A	8/1999	Hoshino
5,761,683 A	6/1998	Logan et al.	5,940,811 A	8/1999	Norris
5,762,376 A	6/1998	Taskett	5,943,423 A	8/1999	Muftic
5,764,789 A	6/1998	Pare et al.	5,945,652 A	8/1999	Ohki et al.
5,766,076 A	6/1998	Pease et al.	5,949,043 A	9/1999	Hayashida
5,768,382 A	6/1998	Schneier et al.	5,949,046 A	9/1999	Kenneth et al.
5,768,385 A	6/1998	Simon	5,949,411 A	9/1999	Doerr et al.
5,773,812 A	6/1998	Kreft	5,949,492 A	9/1999	Mankovitz
5,774,663 A	6/1998	Randle	5,951,620 A	9/1999	Ahrens et al.
5,774,874 A	6/1998	Veeneman et al.	5,952,639 A	9/1999	Ohki et al.
5,778,178 A	7/1998	Arunachalam	5,953,423 A	9/1999	Rosen
5,781,632 A	7/1998	Odom	5,953,504 A	9/1999	Sokal et al.
5,781,909 A	7/1998	Logan et al.	5,955,717 A	9/1999	Vanstorie
5,784,439 A	7/1998	Nagelmann et al.	5,962,831 A	10/1999	Byrley
5,787,403 A	7/1998	Randle	5,963,648 A	10/1999	Rosen
5,789,732 A	8/1998	McMahon et al.	5,963,924 A	10/1999	Williams et al.
5,790,548 A	8/1998	Sistanizadeh et al.	5,974,148 A	10/1999	Stambler
5,796,832 A	8/1998	Kawan	RE36,365 E	11/1999	Levine
5,802,199 A	9/1998	Pare et al.	5,987,439 A	11/1999	Gustin et al.
5,802,299 A	9/1998	Logan et al.	5,987,498 A	11/1999	Athing
5,802,497 A	9/1998	Manasse	5,987,500 A	11/1999	Arunachalam
5,809,144 A	9/1998	Sirbu	5,988,509 A	11/1999	Taskett
5,812,765 A	9/1998	Curtis	5,991,410 A	11/1999	Albert et al.
5,815,657 A	9/1998	Williams et al.	5,992,570 A	11/1999	Walter et al.
5,816,720 A	10/1998	Brannan et al.	5,995,949 A	11/1999	Morioka et al.
5,818,361 A	10/1998	Acevedo	6,003,762 A	12/1999	Hayashida
5,821,514 A	10/1998	Kikuchi et al.	6,003,763 A	12/1999	Gallagher et al.
5,825,006 A	10/1998	Longacre et al.	6,003,764 A	12/1999	De Rooij et al.
5,826,017 A	10/1998	Holzmann	6,012,048 A	1/2000	Gustin et al.
5,826,241 A	10/1998	Stein et al.	6,014,137 A	1/2000	Burns
5,826,245 A	10/1998	Sandberg-Diment	6,014,646 A	1/2000	Vallee et al.
5,826,267 A	10/1998	McMillan	6,016,484 A	1/2000	Williams et al.
5,828,053 A	10/1998	Kinugasa	6,016,955 A	1/2000	De Rooij et al.
5,831,862 A	11/1998	Hetrick et al.	6,017,063 A	1/2000	Nilssen
5,832,089 A	11/1998	Kravitz et al.	6,023,498 A	2/2000	Schneider
5,832,460 A	11/1998	Bednar et al.	6,029,147 A	2/2000	Horadan et al.
5,838,665 A	11/1998	Kahn et al.	6,032,857 A	3/2000	Kitagawa et al.
5,838,812 A	11/1998	Pare, Jr. et al.	6,035,380 A	3/2000	Shelton et al.
5,842,211 A	11/1998	Horadan et al.	6,038,551 A	3/2000	Barlow et al.
5,847,372 A	12/1998	Kreft	6,039,250 A	3/2000	Ito et al.
5,850,076 A	12/1998	Morioka et al.	6,047,067 A	4/2000	Rosen
5,850,442 A	12/1998	Muftic	6,047,888 A	4/2000	Dethloff
5,854,581 A	12/1998	Mori et al.	6,048,271 A	4/2000	Barcelou
			6,055,314 A	4/2000	Spies et al.
			6,068,193 A	5/2000	Kreft
			6,070,803 A	6/2000	Stobbe
			6,081,791 A	6/2000	Clark

(56)

References Cited

U.S. PATENT DOCUMENTS

RE36,788 E 7/2000 Mansvelt et al.
 6,085,177 A * 7/2000 Semple et al. 705/43
 6,088,687 A 7/2000 Leleu
 6,088,722 A 7/2000 Herz et al.
 6,098,890 A 8/2000 Krefl
 6,105,007 A 8/2000 Norris
 6,115,458 A 9/2000 Taskett
 6,126,069 A 10/2000 Stiefel et al.
 6,128,402 A 10/2000 Jones et al.
 6,131,810 A 10/2000 Weiss et al.
 6,138,107 A 10/2000 Elgamal
 6,141,666 A 10/2000 Tobin
 6,144,848 A 11/2000 Walsh et al.
 6,149,055 A 11/2000 Gatto
 6,179,457 B1 1/2001 Simonotti et al.
 6,193,154 B1 2/2001 Phillips et al.
 6,202,054 B1 3/2001 Lawlor et al.
 6,202,924 B1 * 3/2001 Saunders 235/379
 RE37,122 E 4/2001 Levine
 6,215,858 B1 4/2001 Bartholomew et al.
 6,230,928 B1 5/2001 Hanna et al.
 6,237,848 B1 5/2001 Everett
 6,285,745 B1 9/2001 Bartholomew et al.
 6,289,319 B1 9/2001 Lockwood
 6,318,536 B1 11/2001 Korman et al.
 6,325,242 B1 12/2001 Izawa et al.
 6,327,579 B1 12/2001 Crawford
 6,341,272 B1 1/2002 Randle
 6,354,490 B1 3/2002 Weiss et al.
 6,366,893 B2 4/2002 Hannula et al.
 6,366,967 B1 4/2002 Wagner
 6,371,368 B1 4/2002 Owens et al.
 6,386,451 B1 5/2002 Sehr
 6,408,307 B1 6/2002 Semple et al.
 6,434,238 B1 8/2002 Chaum et al.
 6,438,527 B1 8/2002 Powar
 6,439,455 B1 8/2002 Everett et al.
 6,442,532 B1 8/2002 Kawan
 6,443,359 B1 9/2002 Green et al.
 6,487,538 B1 11/2002 Gupta et al.
 6,487,542 B2 11/2002 Ebata et al.
 6,507,823 B1 1/2003 Nel
 6,550,670 B1 4/2003 Lewis et al.
 6,565,000 B2 5/2003 Sehr
 6,583,813 B1 6/2003 Enright et al.
 6,607,124 B1 8/2003 Junkins et al.
 6,684,269 B2 1/2004 Wagner
 6,694,387 B2 2/2004 Wagner
 6,708,176 B2 3/2004 Strunk et al.
 6,745,259 B2 6/2004 Wagner
 6,850,996 B2 2/2005 Wagner
 6,907,476 B2 6/2005 Wagner
 6,945,457 B1 9/2005 Barcelou
 6,965,816 B2 11/2005 Walker
 7,024,385 B1 4/2006 Adcock et al.
 7,040,533 B1 5/2006 Ramachandran
 7,151,780 B1 12/2006 Belscher et al.
 7,156,300 B1 1/2007 Dentlinger
 7,444,411 B2 10/2008 Sung
 2001/0016825 A1 * 8/2001 Pugliese et al. 705/5
 2001/0044747 A1 11/2001 Ramachandran et al.
 2001/0044775 A1 11/2001 Saito et al.
 2002/0100803 A1 8/2002 Sehr
 2003/0120597 A1 6/2003 Drummond
 2005/0077358 A1 4/2005 Boehm et al.
 2005/0181875 A1 8/2005 Hoehne et al.
 2005/0211764 A1 9/2005 Barcelou
 2005/0246292 A1 11/2005 Sarcarrin
 2006/0206246 A1 9/2006 Walker
 2008/0061129 A1 3/2008 Barcelou
 2008/0061130 A1 3/2008 Barcelou
 2008/0061131 A1 3/2008 Barcelou
 2008/0061132 A1 3/2008 Barcelou
 2008/0061133 A1 3/2008 Barcelou
 2008/0061134 A1 3/2008 Barcelou

2008/0061135 A1 3/2008 Barcelou
 2008/0065536 A1 3/2008 Barcelou
 2008/0065537 A1 3/2008 Barcelou
 2008/0065538 A1 3/2008 Barcelou
 2008/0065539 A1 3/2008 Barcelou
 2008/0065540 A1 3/2008 Barcelou
 2008/0065541 A1 3/2008 Barcelou
 2008/0065542 A1 3/2008 Barcelou
 2008/0065543 A1 3/2008 Barcelou
 2008/0065544 A1 3/2008 Barcelou
 2008/0065545 A1 3/2008 Barcelou
 2008/0067234 A1 3/2008 Barcelou
 2008/0067235 A1 3/2008 Barcelou
 2008/0067236 A1 3/2008 Barcelou
 2008/0067237 A1 3/2008 Barcelou
 2008/0067238 A1 3/2008 Barcelou
 2008/0067239 A1 3/2008 Barcelou
 2008/0093439 A1 4/2008 Barcelou
 2008/0093440 A1 4/2008 Barcelou
 2008/0093443 A1 4/2008 Barcelou
 2008/0125215 A1 5/2008 Barcelou

OTHER PUBLICATIONS

"An ATM for Everything," John Schneltzer, Dec. 26, 1995, Chicago Tribune, St. Louis Post-Dispatch.
 EDS Pamphlet: "Destination: Convenience," Dec. 1995.
 ICM—Banking on the I-way Today and Tomorrow, John Doggett, Mar. 23-24, 1995.
 AT&T News Release: "New ATM from AT&T GIS Features Automated Document Processing," Nov. 29, 1994.
 "Kiosk Issues Bank Cards for Those Dashing though Dough," The Courier Journal, vol. 269, No. 155, p. 12, Dec. 2, 1989, Ken Berzof.
 "Trade-It-Yourself Bank Machines Make a Debut Securities: Citibank is First to Offer Full-scale Brokerage Services at ATM Machines Option Comes to California Next Month," Los Angeles Times, Oct. 6, 1994.
 "The ABC 7000: The 21st Century Has Arrived," Basecorp, 1995.
 "Technobanking Takes Off," Business Week, Dec. 12, 1994.
 "Do Bells and Whistles Really Pay Off?," Joseph L. McCarthy, Nov. 27, 1995.
 "ATM Revolution Keeps Marching on," Jane B. Sharahan, Nov. 27, 1995.
 "Marching to 2000 with a Range of Functions," Janice Fioravante, Nov. 27, 1995.
 "Will Versatility Fuel Continued Growth?," Janice Floravante, Nov. 27, 1995.
 "Nonbanks Close Gap on Off-site ATMs," Julie Monahan, Nov. 27, 1995.
 "Kiosks, PCs take borrowing out of banks" May 2, 1996 Christine Dugas, Cover Story, USA Today.
 "Multimedia Hits the Streets" Feb. 1995 Jirl Weiss, New Media.
 Have you ever renewed your driver's license at a cash machine?—"You Will" AT&T Ad, 1994.
 "Money: Back to the Future?" Nov. 24, 1995 Walter Wriston, Wall Street Journal.
 Ultradata Corporation Product Update Brochure: "Self-Service Kiosk & Automated Loan Processing System (ALPS)", Nov. 1995.
 Affinity Financial Group, Inc. Brochure—"Revolution in Progress: the Automated Loan Machine", 1995.
 Ameritrade Holding Corporation History—Aufhauser is the first brokerage firm to offer internet trading via its WealthWeb (Aug. 1994).
 Digital Equipment Corporation Brochure—"DECbank WB21 for compact cash delivery" and "DECbank WB22 Full Function Walk-Up ATM", Mar. 1994.
 Digital Equipment Corporation Brochure—"Integrating Banking Beyond Branches", 1995.
 Digital Equipment Corporation Brochure—Digital's Distributed Computing Environment (DCE), 1994.
 Digital Equipment Corporation White Paper—"Digital DCE for Windows NT", Jun. 1995.
 "TP Monitor Brings DCE Down to Earth", Bradley F. Shimmin, LAN Times, Mar. 18, 1996.
 Microsoft Corporation—"Microsoft and DOE", Deborah Black, Nov. 1, 1993.

(56)

References Cited

OTHER PUBLICATIONS

- 1995 Schlumberger Annual Report (Online Version), 1996.
- Schlumberger Danyl Brochure "Card Dispensing Machine", Dec. 1, 1995.
- Schlumberger Danyl Brochure "Card Value Center", Nov. 6, 1995.
- Danyl Corporation Brochure—"Card Service Center", Apr. 12, 1993.
- Danyl Corporation Brochure—"Vending Systems—Opening New Horizons with Card-based Convenience", Sep. 27, 1993.
- 1995 AT&T (NCR) Annual Report, Apr. 18, 1996.
- "The ATM Marks Its 30th Birthday", Jo-Ann Daddio, Smart Money Debit News, vol. 1—Issue 4, p. 4, Winter 1995.
- "Doo-Wah Cash: MTV Meets ATM", Upfront—Bank Notes, Seanna Browder, Business Week, p. 6, Dec. 4, 1995.
- "Marketing & Vending Concepts' ATM-Telecard Vender Promotes Sales by Making it Easier to Purchase Cards", Vending Times, Mar. 1996.
- "Hold It Right There Citibank", Banking, Brian Brenner, Joan Warner and Jonathan Ford, Business Week, p. 176, Mar. 25, 1996.
- "Visa International charges ahead with stored-value card", Enterprise Computing—Management, Rachel Parker, InfoWorld, p. 78, Oct. 16, 1995.
- "Smart Cards and Money: Convenience and Security", Cover Story, Anne Coyle, EDN Nov. 23, 1995.
- "Money Wants to Be Anonymous", Alan Deutschman, Worth, p. 95, Oct. 1995.
- CyberCash Inc. Brochure, "CyberCash—The Secure Internet Payment Service", 1995.
- "Wide Area Windows Networking—Are NT and Windows for Workgroups Truly WAN-savvy?", Hands On, Jon Udell, Byte Magazine, Jan. 1994.
- Mondex International News Release, "Mondex Uses Internet to Spread Global Electronic Cash Message", Mar. 24, 1995.
- Mondex Magazine (Launch Issue) 36pgs, National Westminster Bank Plc, 1995.
- UUNET Technologies, Inc. Brochure, "Access the Internet with Alternet", Aug. 17, 1994.
- UUNET Technologies, Inc. Brochure, "Alternet Product Family", May 18, 1994.
- Cincinnati Microwave, Inc. Brochure, "Cellular Packet Data Moderns", CMI, 1993.
- Pacific Communication Sciences Inc. Brochure, Ubiquity Software Developer's Kit (CDPD), Nov. 1994.
- Gradient Technologies, Inc. Brochure, "Secure Web Client/Server Computing", 1995.
- Transarc Corporation Brochure, "DCE Product Overview", 1993.
- Transarc Corporation Brochure, "Encina Product Overview", 1993.
- The DCE Newsletter—Open Horizon, Inc., "DCE and the Web", vol. 3—Issue 2, 1995.
- Laufer, "Interactive Web Application Based on Finite State Machines", Loyola University (Chicago), Proc. Symposium Information Systems Analysis and Synthesis (ISAS), Baden-Baden, Germany, Aug. 1995.
- Morris et al., "Kiosks: A Technological Overview", Los Alamos National Laboratory, Paper LA-UR-95/1672 (CIC-3) Jan. 10, 1995.
- Levy, "E-Money (That's What I Want)", Wired Magazine, Issue 2.12, Dec. 1994.
- EFT Network Data Book—1996 Edition, Bank Network News, Faulkner & Gray, vol. 14, No. 13, Nov. 24, 1995.
- Medvinsky et al., "Netcash: A Design for Practical Electronic Currency on the Internet", Proc. First ACM Conference on Computer and Communication Security, Nov. 1993.
- Perrochon, "W3 Based Online Kiosk Systems", Int'l WWW Conference, Apr. 10, 1995.
- "Interactive Financial Services—Strategies for Online Delivery", Longwood Information LLC, vol. 1, No. 3, Apr. 15, 1996.
- "Kiosks—Guidelines for Development", The State of Maryland Comptroller of the Treasury—Data Processing Division, Sep. 15, 1994.
- Shah, "Suggestions for Information Kiosk Systems Using the World Wide Web", WWW Information Kiosks Special Interest Group, Apr. 30, 1994.
- "Diebold—Technology with a Vision", 1995 Annual Report.
- Shah, "Suggestions for Information Kiosk Systems Using the World Wide Web", WWW Information Kiosks Special Interest Group, May 25, 1994.
- Griffith, "Cashless Society or Digital Cash?", Southwestern Society of Economists, Mar. 1994.
- Brickell et al., "Trustee-based Tracing for Electronic Cash and Making Anonymous Change", 1995 Symposium on Discrete Algorithms.
- Bellare et al., Design Implementation and Deployment of the iKP Secure Electronic Payment System, Extended abstract, entitled "IKP—A Family of Secure Electronic Payment Protocols" was in Proc. First USENIX Workshop on Electronic Commerce, USENIX, 1995, IEEE Journal on selected Areas in Communication, 2000, vol. 18, No. 4, pp. 611-627.
- Chaum, "Achieving Electronic Privacy", Scientific American, Inc., 1992.
- Neuman, "Proxy-Based authorization and Accounting for Distributed Systems", Proceedings of the 13th Int'l Conference on Distributed Computing Systems, May 1993.
- "Siemens Nixdorf Customer Information Printer—CIP", Company Brochure 1994.
- "Siemens Nixdorf ATMs and Cash Dispensers Overview", Company Brochure 1995.
- Rakov, "The Internet Sampler: A Mosaic-Based Museum Kiosk About the Internet", 2nd Int'l Conference on Mosaic and the WWW, Chicago, IL, Oct. 1994.
- Chaum, "Digital Cash", Mediamatic@Home Conference, Nov. 5, 1994.
- "SCR 60 Terminal", Schlumberger Technologies Brochure, 1992.
- "The AnyCard Cash System", Tidel Engineering, Inc. Feb. 2, 1993.
- Merkert, Sr., "Multi-application Cards in Open Systems", Danyl Corporation, Apr. 9, 1993.
- "IC Verify—High Performance Credit Card Authorization, ATM/Debit and Check Guarantee Software", IC Systems Brochure, Oct. 28, 1993.
- "DEC OSF/1", Digital Equipment Corporation Brochure, 1994.
- "Schlumberger MULTIFLEX Smart Cards", Schlumberger Technologies Brochure, 1994.
- "Mikron Austria Company Profile", Mikron GmbH Brochure, Mar. 3, 1995.
- "Mikron micard—Contactless Close Coupling High Speed RIScC Processor Smart Card", Mikron GmbH Brochure, Feb. 1994.
- "Mikron midat—Contactless Read/Write Identification System", Mikron GmbH Brochure, May 1994.
- "Mikron miro—Contactless Read Only Identification System", Mikron GmbH Brochure, Aug. 1994.
- "Mikron hltag—Contactless Read/Write Identification System for Handsfree Access Control and Industrial Applications", Mikron GmbH Brochure, Sep. 1994.
- "Mikron mifare—MIFARE1 Card Data Sheet", Mikron GmbH Brochure, Sep. 1994.
- "Mikron mifare—Contactless Remote Coupling Smart Card System Overview", Mikron GmbH Brochure, Sep. 1994.
- "Mikron mifare—MIFARE read/write device Core Module (MCM) Data Sheet", Mikron GmbH Brochure, Sep. 1994.
- "Software Product Description—Digital Distributed Computing Environment (DCE), Version 1.0 for Window NT", Digital Equipment Corporation Brochure, Apr. 1994.
- "InstaCache", National CacheCard Co. Brochure, Sep. 12, 1994.
- "GEMPLUS in Banking", Gemplus Brochure, Oct. 1994.
- "VISA Stored Value Cards Product Preview", VISA International Service Association, Dec. 1994.
- "Smart Cards", Giesecke & Devrient Brochure, 1995.
- "Welcome to the World of Radio Frequency Identification and Contactless Smart Cards", Mikron GmbH Brochure, 1995.
- "WinPractis software—Take advantage of a Window development platform . . . and create your smartcard applications", Schlumberger Electronic Transactions, 1995.

(56)

References Cited

OTHER PUBLICATIONS

- "Microsoft and DCE", The DCE Newsletter—Anniversary Issue, vol. 2 Issue 4, pp. 1-5, 1995. . "Single Sign-On with Microsoft Products and Technologies", The DCE Newsletter, vol. 3, Issue 1. pp. 16-19, 1995.
- "Alpha Family Systems Summary", Digital Equipment Corporation Brochure, Apr. 1995.
- "Introducing True ID from Image Data", Image Data, LLC Brochure, 1995.
- "Requirements for Network Payment: The NetCheque Perspective", Proc. of IEEE Comcon 95, San Francisco, CA, Mar. 1995.
- "Wizard Integrated Contactless Smartcard Solution", Card Technologies Australia Limited Brochure, 1995.
- "Smart Solutions for Secured Transactions", CP8 Transac Products Brochure, 1995.
- "Bank rolls out smart card", USA Today—Inside Business, Mar. 21, 1995.
- Birch et al., "Paying Tolls on the Infobahn—Electronic Commerce and the Future of Money", Hyperion, Commerce and Banking on the Information Superhighway, Chicago, IL, Mar. 23, 1995.
- Office Action mailed May 15, 2008 for U.S. Appl. No. 11/981,993 to D. Barcelou.
- Office Action mailed Apr. 17, 2008 for U.S. Appl. No. 11/982,186 to D. Barcelou.
- Office Action mailed May 14, 2008 for U.S. Appl. No. 11/981,965 to D. Barcelou.
- Office Action mailed Feb. 26, 2008 for U.S. Appl. No. 11/982,240 to D. Barcelou.
- Office Action mailed Feb. 25, 2008 for U.S. Appl. No. 11/982,241 to D. Barcelou.
- Office Action mailed May 13, 2008 for U.S. Appl. No. 11/982,244 to D. Barcelou.
- U.S. Reexamination Application No. 90/008,323 to D. Barcelou, Nov. 7, 2006.
- ICM—Banking on the I-way Today and Tomorrow, John Doggett, Mar. 23-34, 1995.
- "Kiosk Issues Bank Cards for Those Dashing Through Dough," The Courier Journal, vol. 269, No. 155, p. 12, Dec. 2, 1989, Ken Berzof.
- Rosenberry et al., "Understanding DCE", O'Reilly & Associates, Sep. 1992, Chapter 1, pp. 3-22.
- Steiner et al., "Technology in Banking", Irwin Professional Publishing—McKinsey & Company, 1990, Part 1—Chapter 2, pp. 28-50, and Part 2—Chapter 4, pp. 79-111.
- Bollenbacher, "The New Business of Banking", Bankers/Probus Publishing Company, 1992, pp. 116-118, 148, 149, 167, 169, 196, 217, 221.
- Mrkvicka, Jr., "The Bank Book", Harper Collins Publishers, 1991, Chapter 6 (Bank Services) pp. 140-168.
- Kelly, "Out of Control", Addison-Wesley Publishing Company, 1994, Chapter 12, [E-Money] pp. 203-229.
- Zweig, "Wriston—Walter Wriston, Citibank, and the Rise and Fall of Financial Supremacy", Crown-Publishers, Inc. 1995, [ATMs] pp. 197,278,284-286, 291-294, 536-557, 612-616,672,734,797, 838-839, 875.
- R. Brown, et al., The Guide to United States Popular Culture, Popular Press (2001).
- Betsy Maestro, The Story of Money, Carion Books (1993).
- World Book Dictionary (1995) at p. 138.
- J. Shanahan, ATM Revolution Keeps Marching On, Form & Function, Where Does the ATM Go From Here (Nov. 18, 1995).
- J. Fioravante, Marching to 2000 With a Range of Functions, Form & Function, Where Does the ATM Go From Here (Nov. 27, 1995).
- J. McAndrews, Automated Teller Machine Network Pricing—A Review of the Literature, Review of Network Economics, vol. 2, 146-158 (Jun. 2003).
- D. Humphrey, Delivering Deposit Services; ATMs Verses Branches, Federal Reserve Bank of Richmond Economic Quarterly vol. 80, 58-91 (Spring 1994).
- ATMs Through History, GSQ vol. 6, No. 3 (Sep. 2003).
- 1994 ACI Base 24—ATM Diebold 100x Series Support Manual.
- Speaking a Common ATM Language, Credit Card Management Magazine (Apr. 2003).
- 2005 Diebold Brochure "ATMs Security Office".
- The IFX Standard: Global Adoption is Only a Matter of Time Celent (2006).
- 2005 NCR Brochure.
- 1997 NCR Model 5670 ATM and Model 5675 ATM Brochures.
- J. Rawe, A Mini-Mall in Your ATM, Time p. 61 (Apr. 8, 2002).
- 7-Eleven to expand Vcom Kiosks to 1000 stores, Dallas Business Journal (Jul. 9, 2002).
- A. All, Vcom = More Units, More Functionality, Kiosk Marketplace (Aug. 6, 2002).
- A. All, 7-Eleven's Vcom Wins Raves at RD, ATM Marketplace (Nov. 13, 2002).
- International 2002 ATM Award Winners.
- NCR, The Automation Revolution: Self-Service as to Strategic Channel (2005).
- FNC Resolution (Oct. 24, 1995).
- NTIA, Information Superhighway, Mar. 1995.
- Besser, The Information Superhighway (1995).
- Dial-Up ATMs Ring in Changes in the ATM World, Bank Network News 15 (16) (Jan. 13, 1997).
- R. Zakon, "Hobbes' Internet Timeline v 8.2", www.zakon.org/robert/internet/timeline (2006).
- A Little History of the World Wide Web, www.w3.org/History.html (Circa 1995).
- AT&T Advertisement "You Will" (1994).
- Self Service Kiosk Product Update, Creative Strategies (1995).
- F. Koelsch, The Information Revolution (1995).
- Jay W. Giesen, Vice President and General Manager, Vcom, Powerpoint Presentation to 7-Eleven, Inc. (Jul. 29, 2003).
- Jan. 1995 GAO Report, "Information Superhighway".
- Dec. 4, 1996 Diebold Press Release.
- Subrizi et al., "The Virtual ATM" by Alex Subrizi et al. Bank Marketing (Nov. 1994) pp. 17-20.
- Vizard, "Building the Information Superhighway" by Frank Vizard Popular Mechanics (Jan. 1994) pp. 29-33.
- Wikipedia entry for "Information Superhighway", May 2006.
- "Ameritech and Cash Station Inc. Announces Prepaid Phone Card Deal" Newswire, Oct. 17, 1996.
- "Size Up Your Needs", LEI USA Advertisement, OCR Debit Card Vending Machine, TeleCard World 95 East, Sep. 1995.
- 1994 ACI Base 24-ATM Diebold 100x Series Support Manual.
- 1997 NCR Model5670 ATM and Model 5675 ATM Brochures.
- J. Rawe. A Mini-Mall in Your ATM, Time p. 61 (Apr. 8, 2002).
- 7-Eleven to expand Vcom Kiosks to 1000 stores, Dallas Business Journal (Jul. 9, 2002).
- NTIA. Information Superhighway, Mar. 1995.
- R. Zakon, "Hobbes' Internet Timeline v 8.2", www.zakon.org/robert/internet/timeline (2006).
- F. Koelsch, The Infomedia Revolution (1995).
- Wikipedia entry for "Information Superhighway" May 2006.
- James McAndrews, The Evolution of Shared ATM Networks, Business Review (May/June. 1991).
- James Kobielus, Prospects are golden for wireless data services, Network World (Nov. 7, 1994).

* cited by examiner

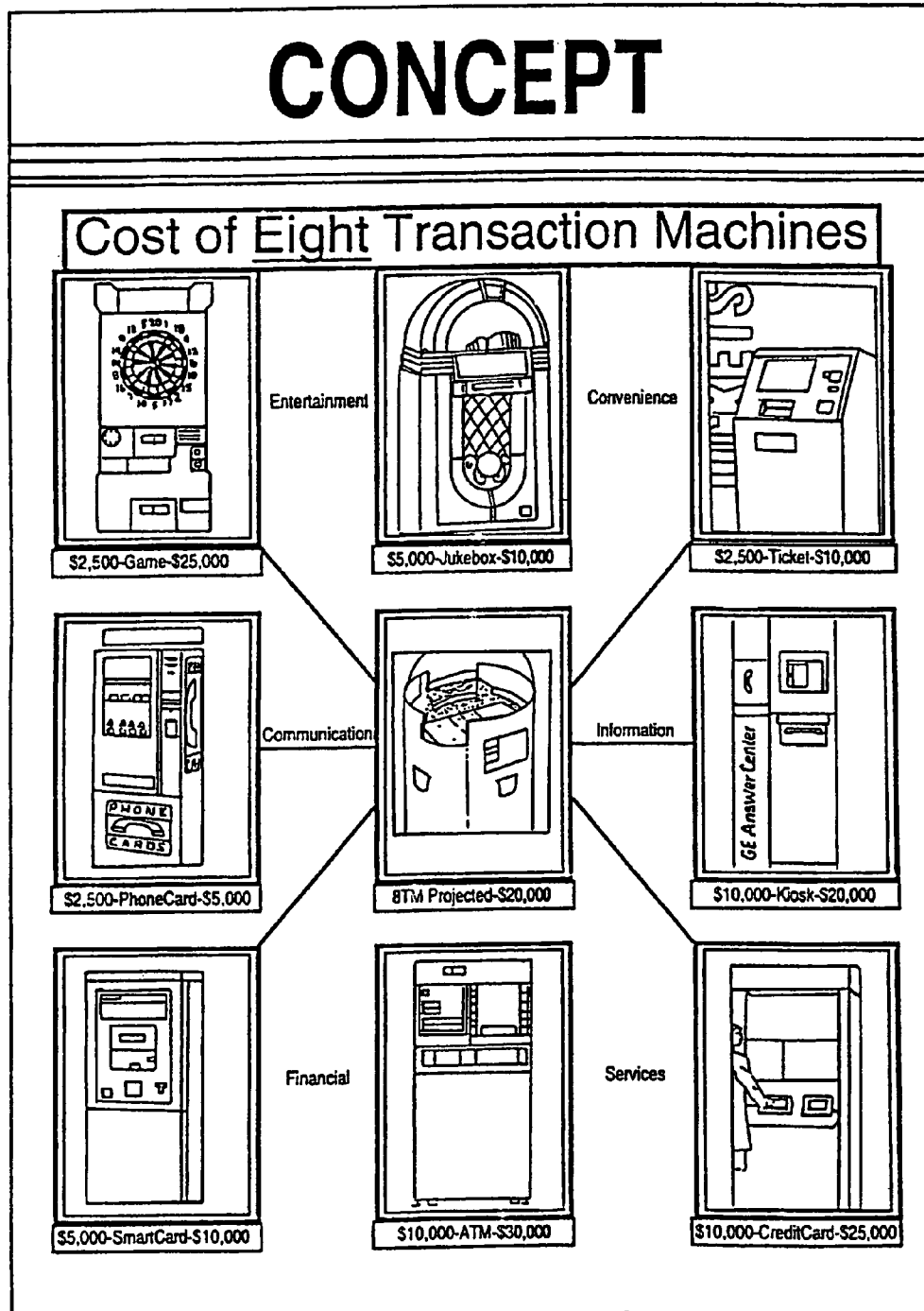


FIG. 1

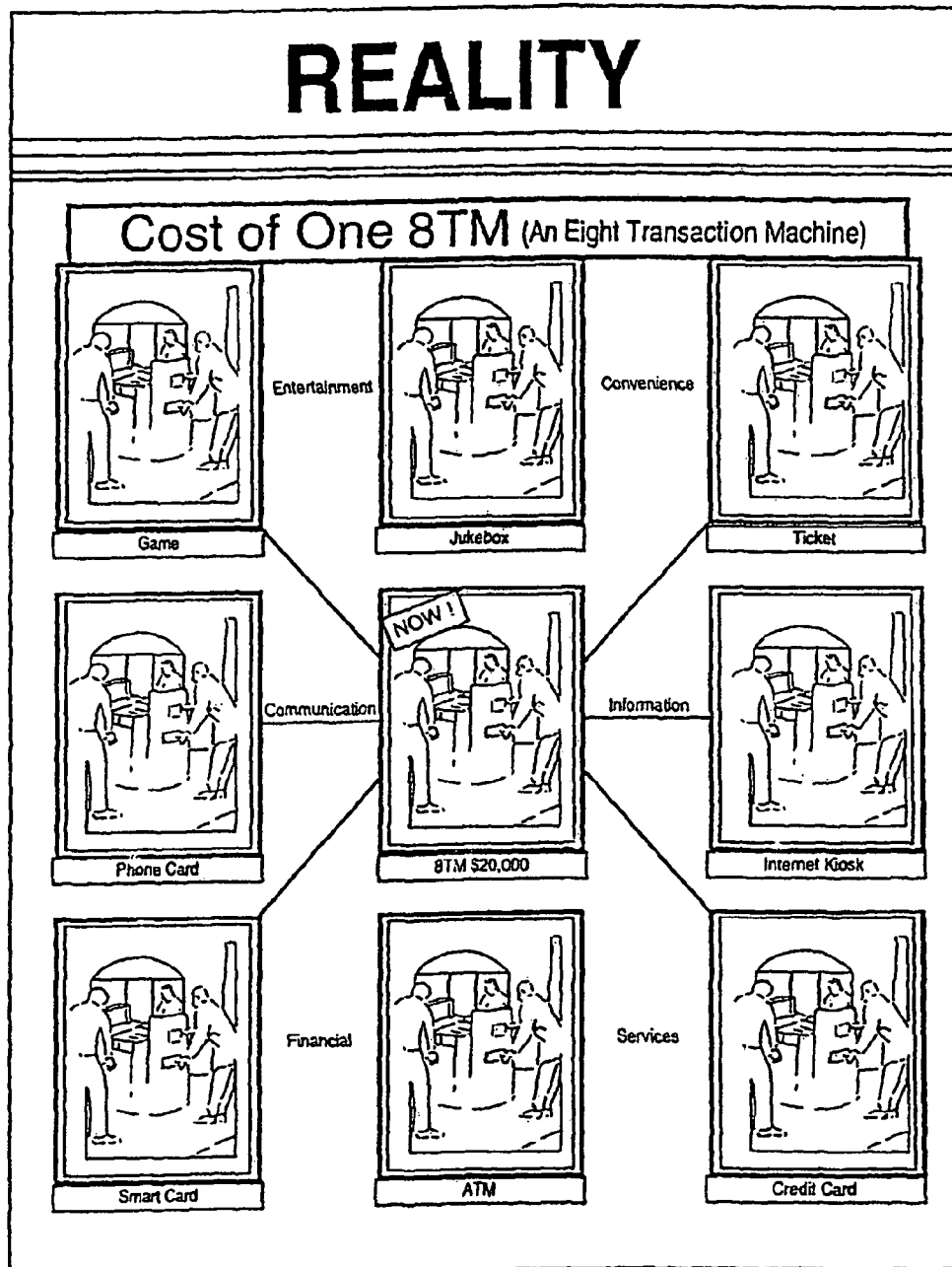


FIG. 2

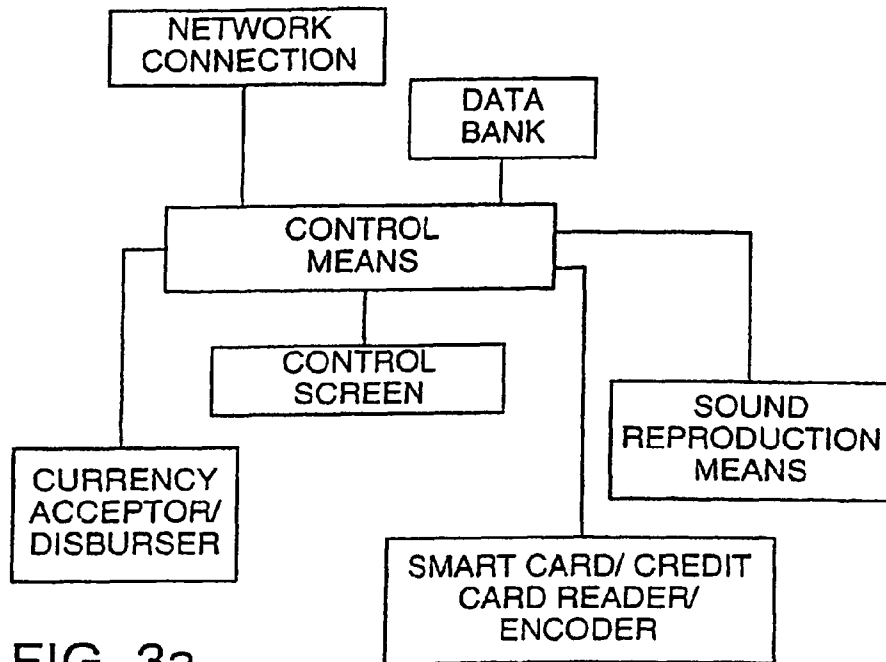


FIG. 3a

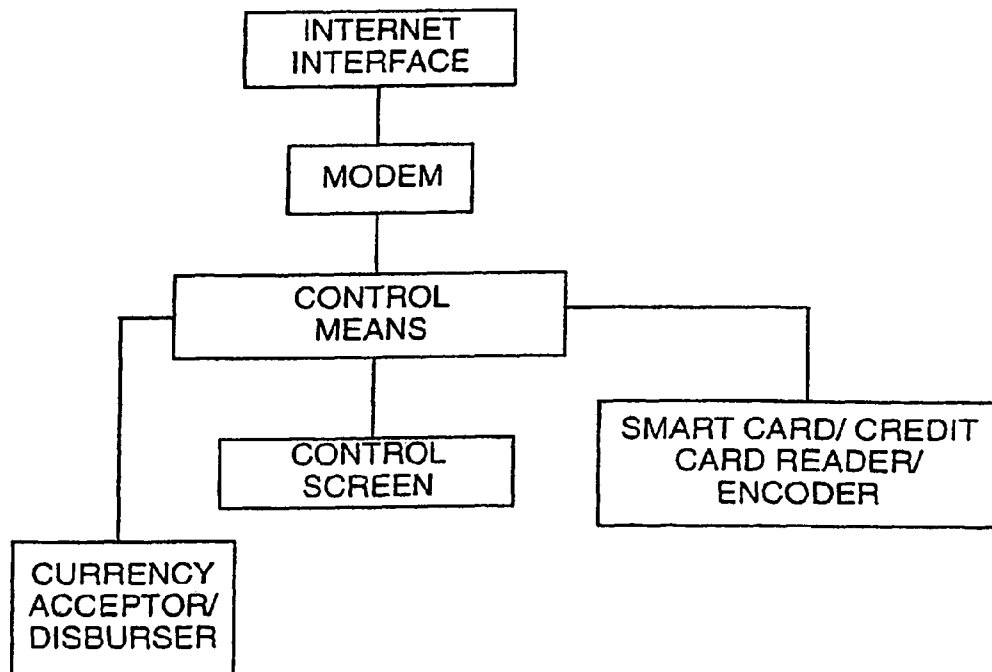


FIG. 3b

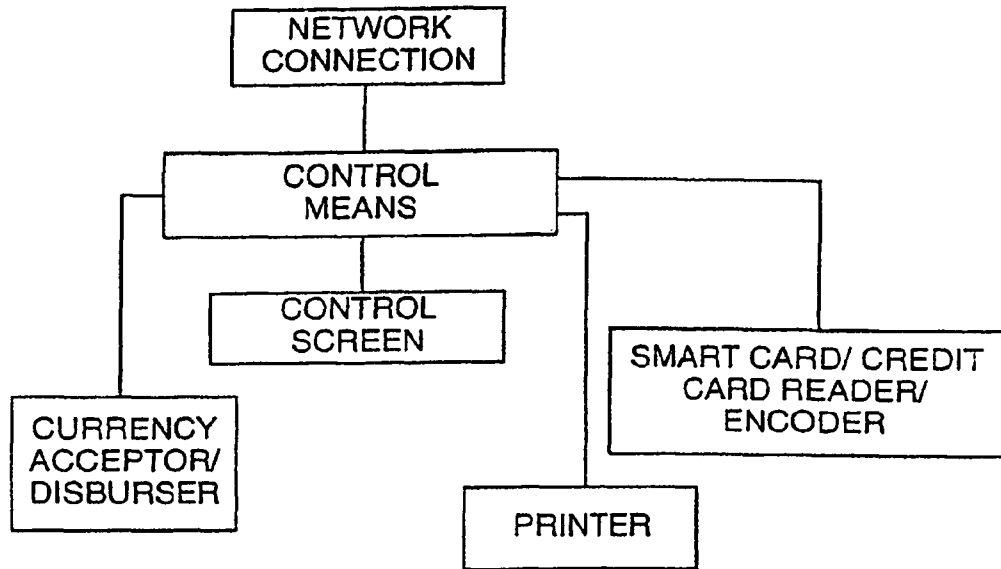


FIG. 3c

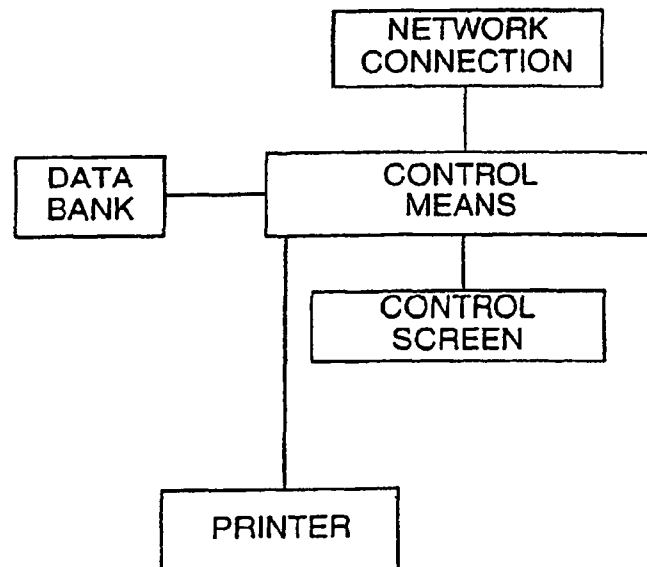


FIG. 3d

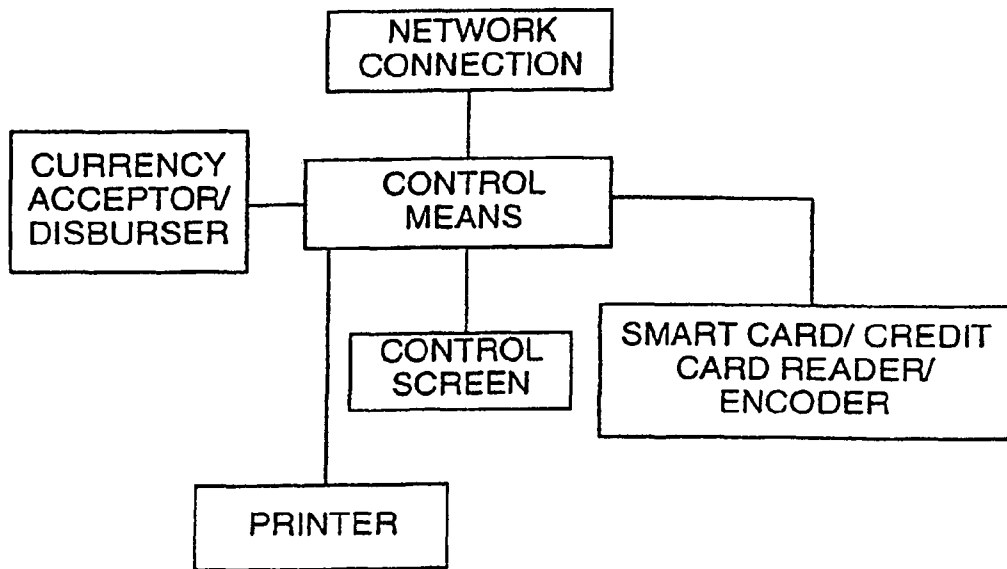


FIG. 3e

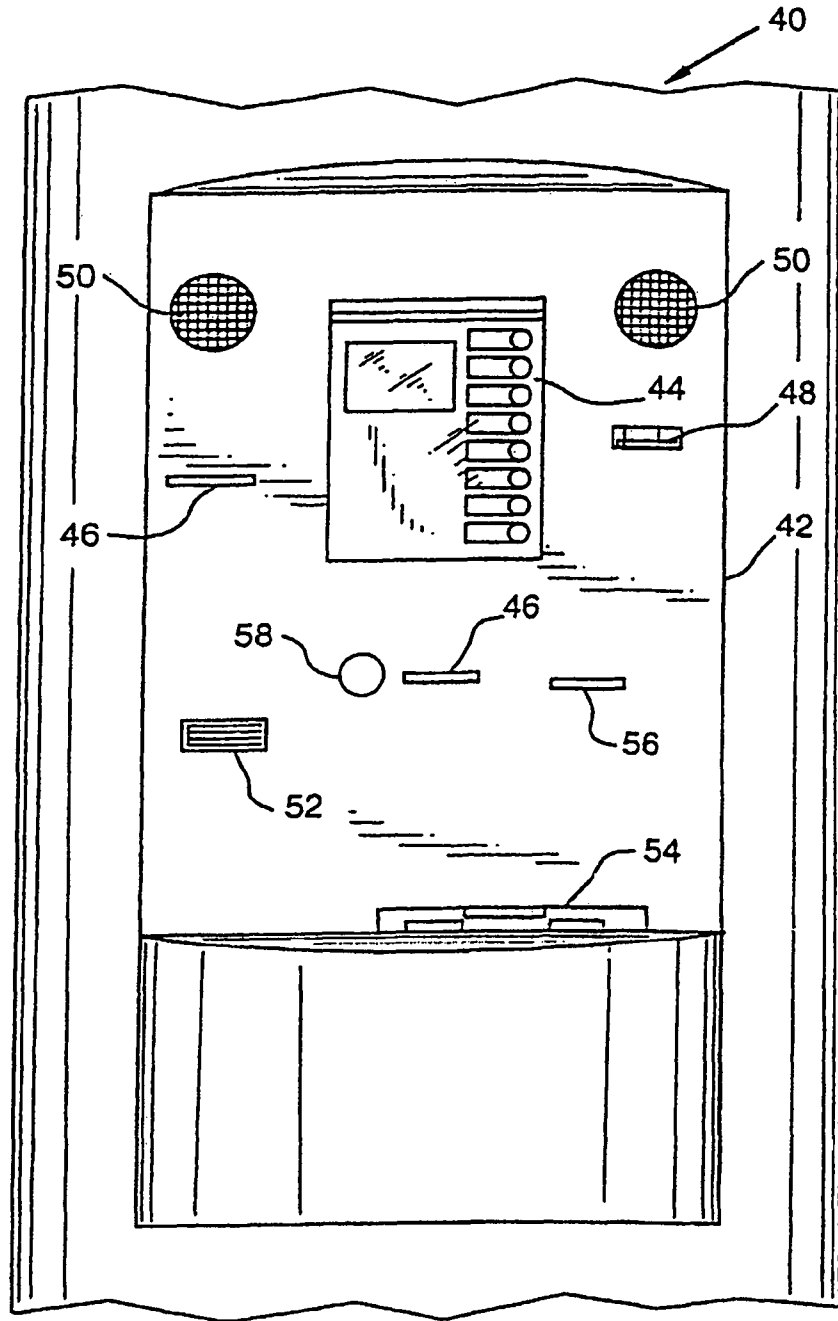


FIG. 4

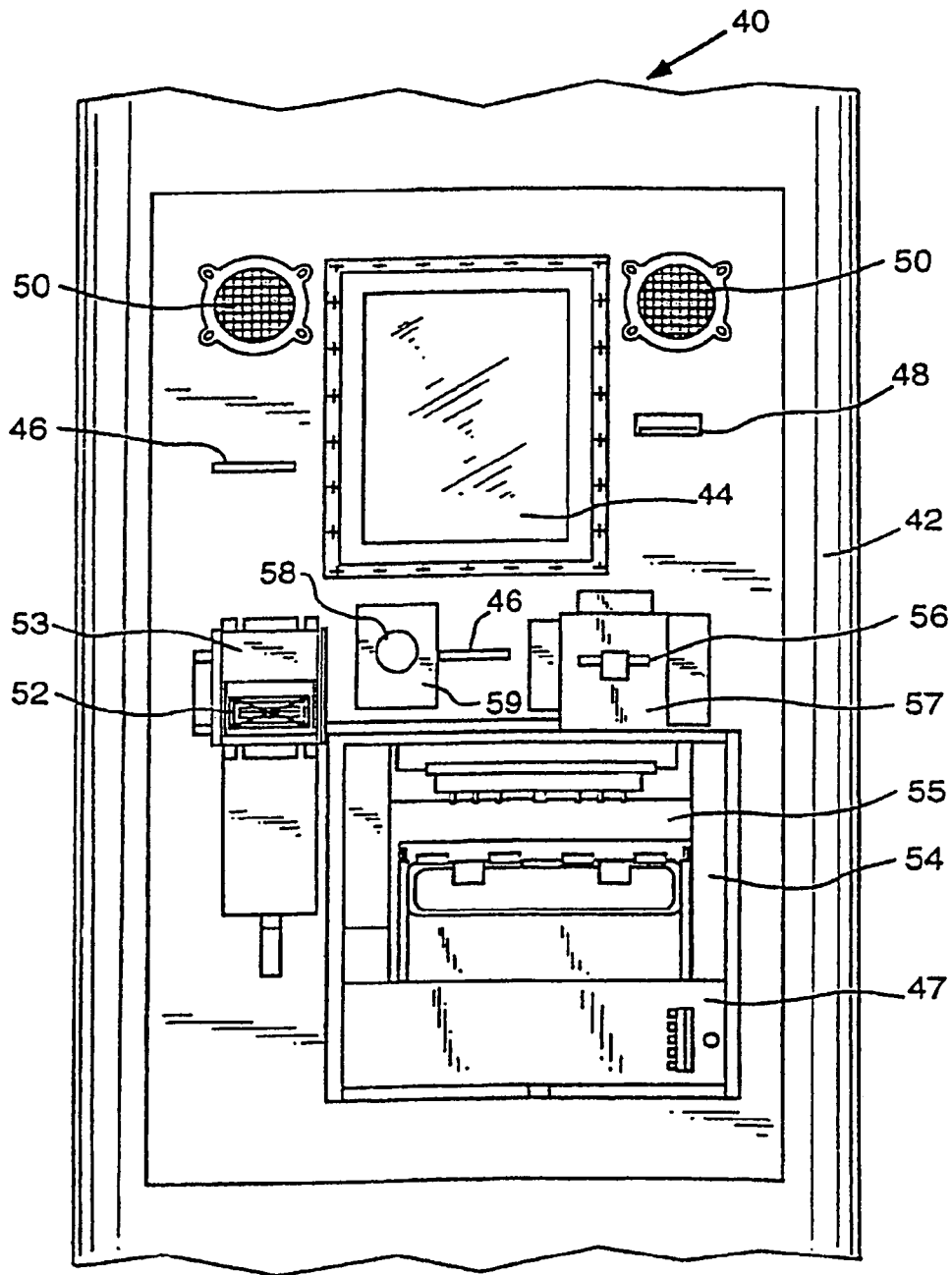


FIG. 5

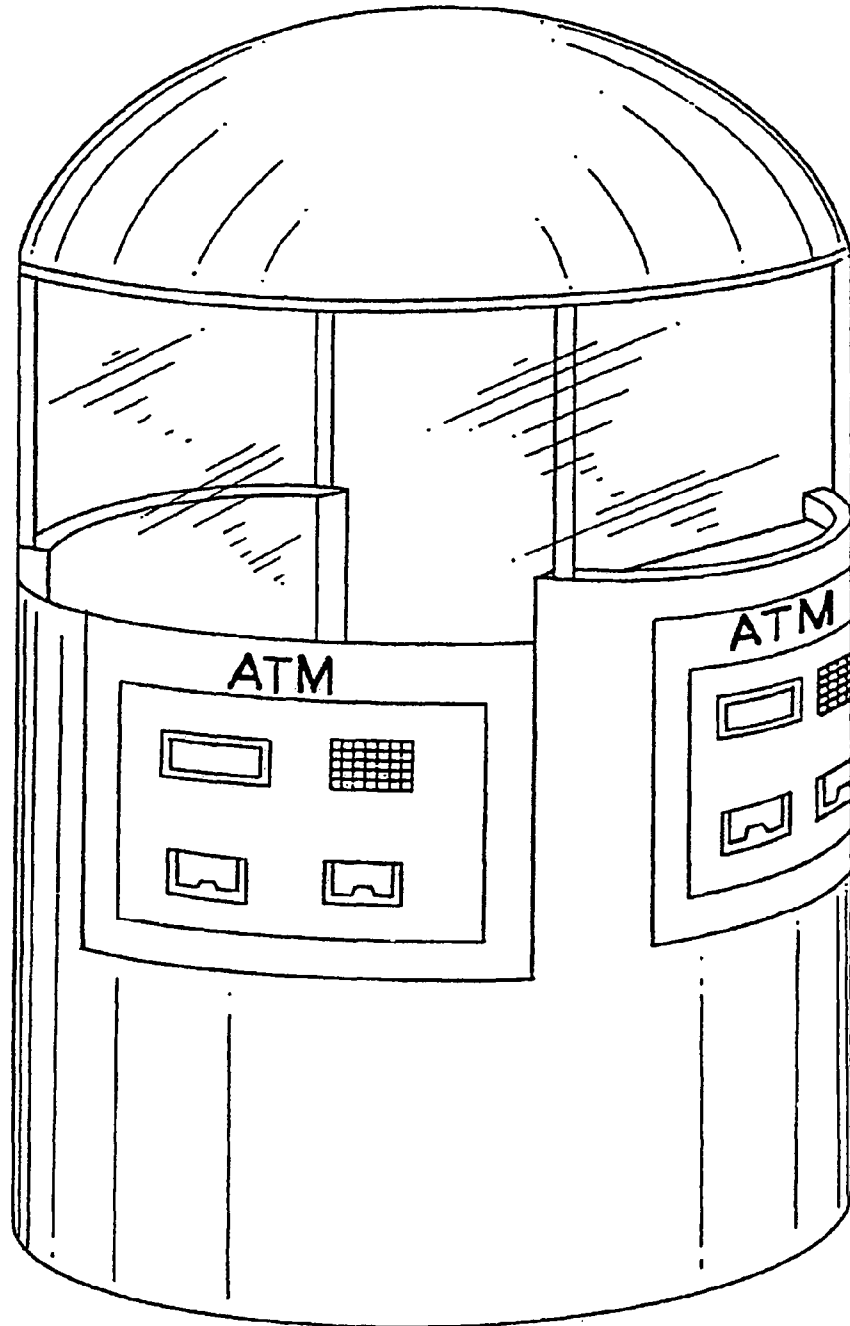


FIG. 6

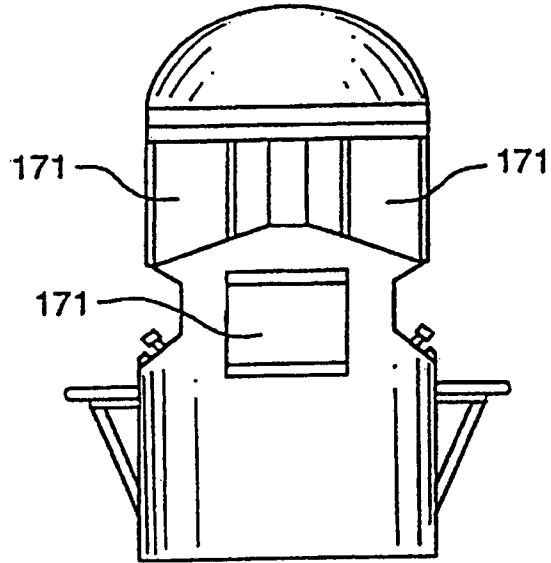


FIG. 7a

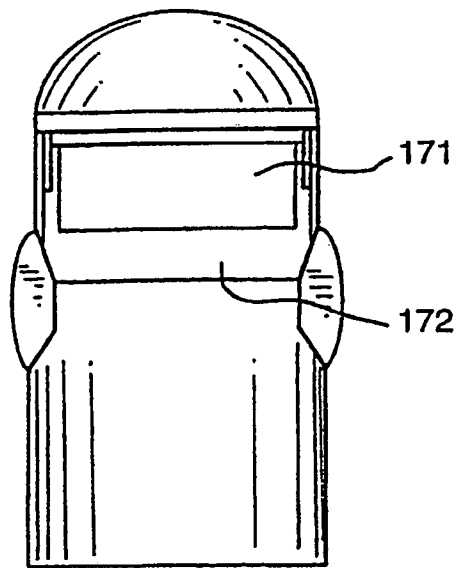


FIG. 7b

AUTOMATED TRANSACTION MACHINE**CROSS-REFERENCE TO RELATED APPLICATIONS**

This application is a continuation of U.S. application Ser. No. 11/818,217, filed on Jun. 13, 2007, which is a continuation of U.S. application Ser. No. 11/123,982, filed on May 6, 2005 which is a continuation of U.S. application Ser. No. 09/180,558, filed on Nov. 6, 1998, now U.S. Pat. No. 6,945,457, which is a national stage of PCT/US97/08089 which claims the benefit of the filing date of U.S. Provisional Patent Application No. 60/017,533 filed May 10, 1996, the disclosures of all of which are hereby incorporated herein by reference.

FIELD OF THE INVENTION

The invention relates to retail terminals for automated transactions and a unique system design therefor.

BACKGROUND OF THE INVENTION

For decades, retail sales and services have been automated to greater or lesser degrees. Historically in many European countries, shopkeepers of bakeries and other purveyors have long provided simple vending machines to dispense their products at their street entrances after business hours. More ambitiously automated restaurants are already legendary in the history of the United States. Other and more recent entrants in the automated retail sales and service industries include automated teller machines (ATMs), custom greeting card kiosks, automated lottery machines and other home and commercial business terminals including various Internet services available via personal computer.

Retail terminal technology generally, however, has been pervaded by a fundamental flaw which itself has gone completely unrecognized. This flaw becomes apparent when one considers the piecemeal character of retail terminals of all types in the applicable prior art. Without any known exception, automated retail functions are provided only to address particular and narrow needs. An ATM may dispense postage stamps, but treats the stamp sheets virtually as an alternate currency in a limited menu of deposit and cash access services. Lottery machines dispense lottery tickets; insurance machines dispense insurance policies; and fancy pay telephones and the most advanced home computers function primarily as old-fashioned credit card order lines for the various products and services available online. In short, even in the most recent instances the only advantage in retail automation has been the same as it has been for many years—the elimination of the human attendant.

A need thus remains for an innovation in the area of automated retail goods and services in which an automated transaction machine does more than merely provide existing goods and services in a simple automated way.

SUMMARY OF THE INVENTION

In order to meet this need, the present invention is an automated retail terminal in which a plurality of goods and/or services is provided in an integrated system. The integrated system generally avoids duplicating hardware or functions in the course of delivering the goods or services offered, so for example in a combination ATM and Internet kiosk the same credit card or smart card reader is used for both the ATM and the Internet kiosk functions, the same control screen activates

the ATM functions and the Internet functions, and etc. The overall importance—and the details concerning—the integrated system aspect of the present automated transaction terminal will become more apparent in the foregoing description.

BRIEF DESCRIPTION OF THE DRAWINGS

FIG. 1 is a schematic entitled “CONCEPT” which illustrates the various existing goods and services machines which can be combined in accordance with the invention;

FIG. 2 is a schematic entitled “REALITY” which illustrates the various existing goods and services machines which can be combined in accordance with the present invention;

FIGS. 3a-3e are schematics which show various combinations of integrated systems according to the present invention;

FIG. 4 is a side elevational view of a control panel according to a preferred embodiment of the invention;

FIG. 5 is a side elevational view of the same mechanics as shown in FIG. 4 but with the control panel removed;

FIG. 6 is a perspective view of a further embodiment of the invention which combines multiple transaction stations in a kiosk, which might house any retail function, such as automobile service and refueling or fast food dispensing or vending; and

FIGS. 7a and 7b are side elevational views of a yet further embodiment of the invention.

DETAILED DESCRIPTION OF THE INVENTION

The present invention is an automated transaction machine comprising an automated retail terminal which provides a plurality of goods and/or services from an integrated and automated system. Two or more goods and/or services are provided not only in combinations heretofore unavailable, but in an integrated system design in which duplication of effort (and hardware) is largely or completely eliminated.

Referring now to FIGS. 1 and 2, a plurality of machines is shown which can be combined in a single integrated system according to the present invention. However, not all the machines shown need be combined. The invention can be simply the combination of a telephone and a juke box, for example, with the hardware and functions of credit or smart card reading (or encoding), computer hardware and software and audio sound production and reproduction being shared. However, the preferred embodiments of the present invention include an integrated but otherwise traditional ATM, so as to enhance the overall retail sales and services offering by coordinating payment arrangements and generalized banking services with the retail transaction(s). This combination of providing an ATM with other retail goods and services transactions is not only new, but would heretofore have been considered virtually heretical.

The essence of the preferred embodiments of the invention thus resides in the new combination of previously existing but separate means of access to the stream of daily commerce and banking. Meaningful combinations of ATMs and customer retail kiosks have never even been attempted before, possibly because the two technologies have undergone burgeoning technological growth in separately focused directions. For example, certain telephone systems have been promoted as the “ATMs of the future,” providing credit card recognition for instant, albeit remote, execution of retail services. Some ATMs dispense both bills and coin change, and offer services such as on-site check cashing with payment of the exact check amount in bills and/or coins. As described above, ATMs in the past have offered limited retail sales options such as the

vending of postage stamps via the bill dispenser. But there has not been, heretofore, a meaningful incarnation of a single system, which an individual consumer can use in a single location, wherein real banking services, and real commercial and banking services, have been combined. Because it is difficult to define objectively, however, that which constitutes real or meaningful banking or retail services, the preferred embodiments of the invention are best characterized as providing a retail terminal offering at least two immediately accessible goods or services and selectively dispensing at least two forms of dispensable currency, to emphasize the novel plurality of uniquely combined system means intrinsic to the present invention. The system for providing these multiple services or goods is integrated, moreover; the invention does not comprise the mere freestanding combination of an existing ATM and an existing retail terminal in adjacent proximity.

One of the preferred embodiments of the present invention is that disclosed in U.S. patent application Ser. No. 08/643, 827 entitled "Automated League and Tournament Device." Two goods or services offered are ATM services and game league services, and the two forms of dispensable currency take the form of bills from the bill safe/dispenser and the encodable credit made possible by the smart card encoder therein. Widespread variability is possible with respect to such combinations.

Another embodiment of the invention includes the following components. A free-standing or wall mounted ATM with traditional ATM hardware, software and banking network connections (and including a bill safe, bill dispenser, magnetic stripe card reader, keyboard and video screen) is augmented with additional means as follows. The ATM is fitted with a smart card reader/encoder, so that in addition to the traditional bill dispenser the ATM can dispense encodable currency onto a smart card or its equivalent (a PC card, a removable hard drive, or other means for encoding digital cash or electronic cash of various types.) The video screen is a touchscreen; internal software provides a first screen menu for selection of traditional ATM services and at least two additional immediate access retail services, which are selected from the group consisting of electromechanical games of skill services, smartcard services, insurance services, restaurant services, travel services, sports services, gaming device services, delivery services, coupon services, floral delivery services, gift basket delivery services, introduction services, audio services, news services transportation services, utility services, physician services, school services, security services, building services, credit services, directory services, home services, military services, personal services, automotive services, employment services, recreational services, travelers check services, children's services, videogames of skill services, Internet services, brokerage services, government services, entertainment services, library services, catalogue services, print services, diagnostic services, chat services, video services, database services, barter services, engineering services, pharmacy services, identification services, detective services, church services, loan services, training services, buying services, recruitment services, accounting services, photographic services, food services, radio services, credit services, theme park services, music services, financial services, full-line vending services, health care services, remote access services, payment services, computer services, search services, network services, subscription services, virtual reality services, advertising services, rental services, programming services, beverage services, credit/debit card services, freight services, stored value card services, beauty services, tax services, leasing services, medi-

cal services, emergency services, publishing services, counseling services, satellite services, screening services, real estate services, telephone services, ticket services, television services, dating services, information services, lottery services, software services, reservation services, communication services, Intranet services, adult services, referral services, repair services, legal services, consulting services, maintenance services, moving services, trade show services, design services, lodging services, mail services, fast food services, automated services, recording services, clothing services, wireless services, human services, and encryption services. For the purpose of this embodiment, the form such second service takes must be an immediately realizable service, with a good or service being generally immediately rendered to the individual using the system (airline or theatre tickets being printed on the spot, for example) or being separately commenced (initiation of a delivery of flowers in a remote city, for example). It is readily apparent that this combination system is quite different from any of prior art ATMs, telephone ATMs "of the future," or even personal computer Internet connections which may provide retail functions but do give access to at least two forms of dispensable currency.

The most preferred embodiments of the present invention include means for providing at least two retail services which are not only immediately, realizable but are also immediately accessible to the individual user. Preferred immediate access services include game of skill services, music (juke box) services, vending, publishing (customized newspapers printed on the spot, for example), dating, smart card encryption, travel and entertainment ticketing, and financial, insurance and brokerage services. The consumer appeal of synthesized commercial and retail services with banking services is enormous, which in itself highlights the irony that these diverse services, and the means for providing them, have never been combined elsewhere heretofore.

User access to systems provided according to the invention will normally be accomplished by credit card, smart card or other identification card, but other means are contemplated as within the scope of the invention. Literally any means of positive identification of any given individual user to the system can be implemented, such as iris or fingerprint scans and matching to user databases. Smart card access itself will undoubtedly continue to evolve as smart cards increase in their accommodation of data and processing speed and ability, and this will only enhance the multiple retail and banking aspects of the preferred embodiments of the invention.

Referring now to FIGS. 3a-3e, five exemplary system combinations are illustrated schematically. FIG. 3a illustrates a combined ATM and juke box system; FIG. 3b illustrates a combined ATM and Internet retail terminal; FIG. 3c shows a combined ATM and insurance policy terminal; FIG. 3d illustrates a combined dating service and travel ticketing terminal; and FIG. 3e illustrates a combined ATM and lottery dispensing machine. These combinations are exemplary of the various conceptual incarnations of the invention as described above.

Referring now to FIG. 4, the multiple functionalities can be combined via a video touchscreen which provides for selection of a wide variety of goods and/or services. FIG. 4 is a partial side elevational view of a kiosk 40 including a control panel 42 having a video command touchscreen 44, at least one smart card dispenser 46, a credit card reader 48, stereo speakers 50, a bill (cash) acceptor 52, a bill dispenser 54 and a receipt (printer) dispenser 56. Optionally, one of the smart card dispensers 46 may be recording means for encoding information on media other than smart cards, including but

5

not limited to magnetic recording tape; floppy or removable hard disks or drives; recordable CDs, PC cards or PCMCIA cards and etc. A motion/sound/position sensor 58 is also provided adjacent the video command touchscreen. A person using the control panel 42 thus has access to all available goods and/or services in a single location.

FIG. 5 illustrates the control panel 42 of FIG. 4 with its cover removed, exposing the underlying mechanical features not including the computerized control and optional network access means which drive the system. A bill dispenser security safe 55 is thus positioned surrounding the bill dispenser 54. A bill acceptor mechanism 53 known in the art supports the bill acceptor

A smart card safe 47 contains smart card inventory to supply to the smart card dispenser(s) 46. A motion/sound/position device 59 supports the sensor 58. A printer 57 provides receipts or other printed materials to the receipt (printer) dispenser 56. Each individual mechanism illustrated in FIGS. 4 and 5 is known in the art, and the invention combines a number of them in a novel and commercially irresistible way.

FIGS. 4 and 5 illustrate a video command touchscreen 44 which is deliberately in portrait rather than landscape orientation. This deliberate orientation enhances the suitability of the command screen to relatively long, single-column selection menus such as those of the World Wide Web on the Internet and also adds an attractive design feature to the kiosk containing it.

FIG. 6 illustrates a kiosk containing multiple transaction control panels similar to those of FIG. 4. A kiosk such as shown can house games, automobile refueling or fast food services in automated form, or virtually any other goods or services disclosed herein.

FIGS. 7a and 7b are side elevational views of a further embodiment of the invention. Segments 171 can house monitors, liquid crystal or gas plasma displays; segment 172 can house three dimensional volumetric displays including electromechanical games or displays or three dimensional video or holographic arrays. Kiosks such as are shown in FIGS. 7a and 7b may have, optionally, fold down seating and/or modular construction.

The invention is susceptible of widespread departure from the above disclosure without departing from the scope of the invention. Virtually any heretofore uncombined goods and/or services provision may be combined in the automated transaction terminal of the present invention. The key to the invention is the multiple functioning of the terminal as compared to primarily single purpose devices of the prior art. Another way of understanding the most preferred embodiments of the present invention is as an ATM combined with an additional functionality typically found, in the prior art, only in its own freestanding device, i.e., juke box, Internet terminal, etc. Combinations of individual goods and services can be customized to the theme or character of the intended location, and the combinations are thus deliberate, not slapdash.

Notwithstanding the foregoing description, the invention is only to be limited as is set forth in the accompanying claim.

The invention claimed is:

1. An integrated banking and transaction system for use by a consumer to purchase access to retail automated teller machine services, comprising:

- an automated teller machine;
- a user interface to the automated teller machine;

6

an identification device for identifying the user to the automated teller machine;

network services including radio communication services to the automated teller machine that use encryption services and security services to provide the user access to the user interface and retail automated teller machine services; and access to the automated teller machine user interface whereupon the consumer may selectively dispense cash using the integrated banking and transaction machine providing the retail automated teller machine services;

wherein the consumer can purchase access to the retail automated teller machine services through use of the user interface and the radio communication services.

2. The integrated banking and transaction machine according to claim 1, further comprising means for consummating the purchase with cash.

3. The integrated banking and transaction machine according to claim 1, further comprising means for consummating the purchase with bills.

4. The integrated banking and transaction machine according to claim 1, further comprising means for consummating the purchase with coins.

5. The integrated banking and transaction machine according to claim 1, further comprising means for consummating the purchase with currency.

6. The integrated banking and transaction machine according to claim 1, further comprising means for consummating the purchase with encodable currency.

7. The integrated banking and transaction machine according to claim 1, further comprising means for consummating the purchase with digital cash.

8. The integrated banking and transaction machine according to claim 1, further comprising means for consummating the purchase with electronic cash.

9. The integrated banking and transaction machine according to claim 1, further comprising means for consummating the purchase with encodable credit.

10. The integrated banking and transaction machine according to claim 1, further comprising means for consummating the purchase with a smart card.

11. The integrated banking and transaction machine according to claim 1, further comprising means for consummating the purchase with a credit card.

12. The integrated banking and transaction machine according to claim 1, further comprising means for consummating the purchase with a debit card.

13. The integrated banking and transaction machine according to claim 1, further comprising means for consummating the purchase with a stored value card.

14. The integrated banking and transaction machine according to claim 1, further comprising means for consummating the purchase with a phone card.

15. The integrated banking and transaction machine according to claim 1, further comprising means for consummating the purchase with an identification card.

16. The integrated banking and transaction machine according to claim 1, further comprising means for consummating the purchase with removable media recorded with encodable currency, digital cash or electronic cash of variable types.

* * * * *